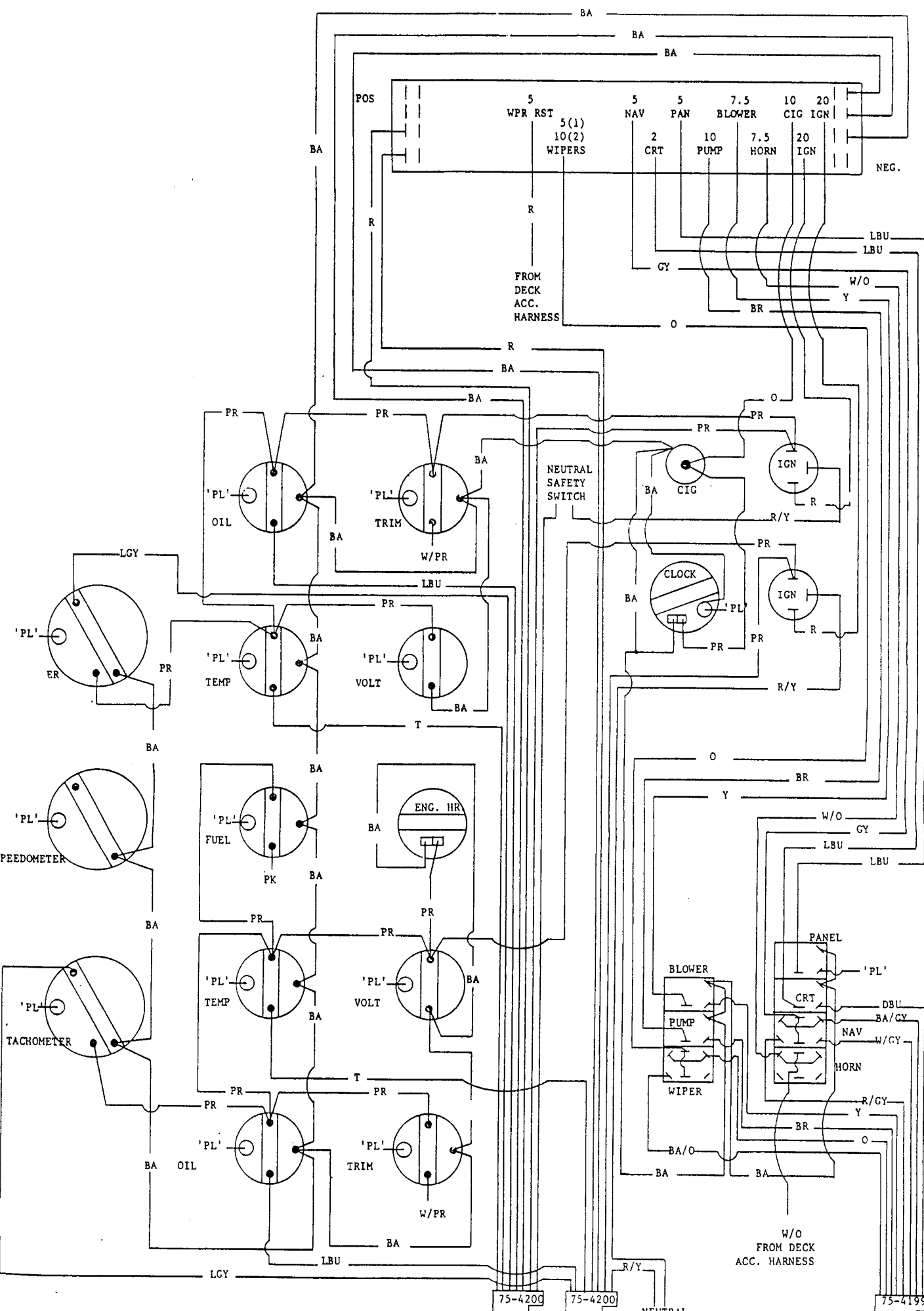


F302 - REAR DASH VIEW, TWIN MERCURY ENGINES, P = PORT, S = STARBOARD, J = JUMPER.



ALL WIRES DENOTED 'PL' ARE JOINED TOGETHER

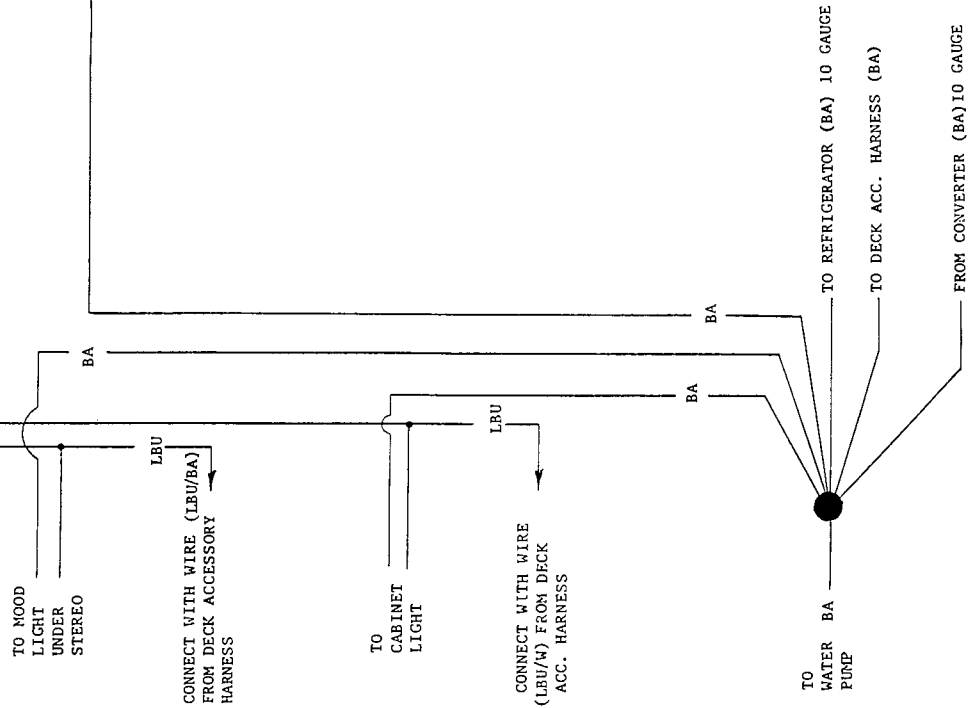
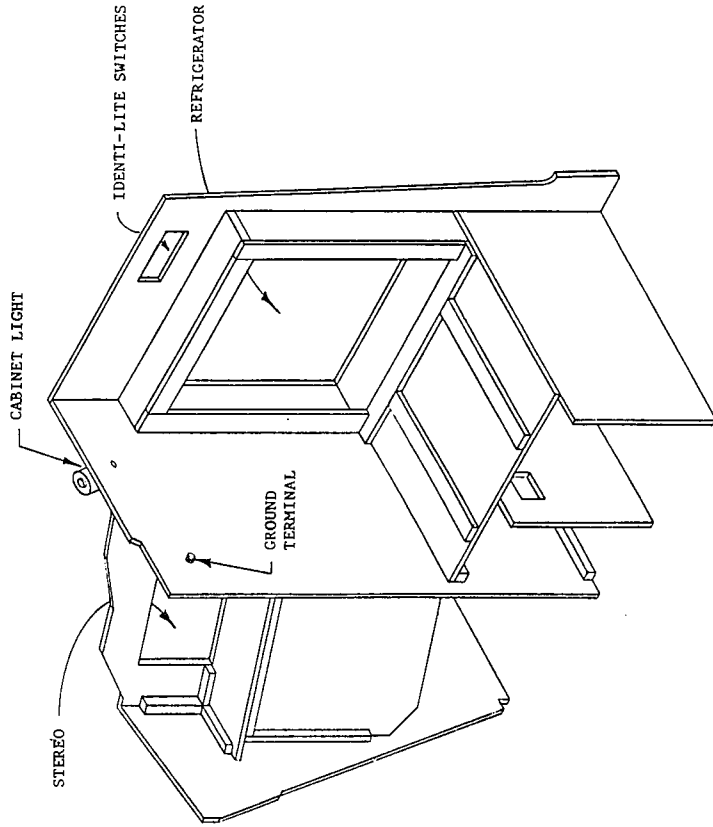
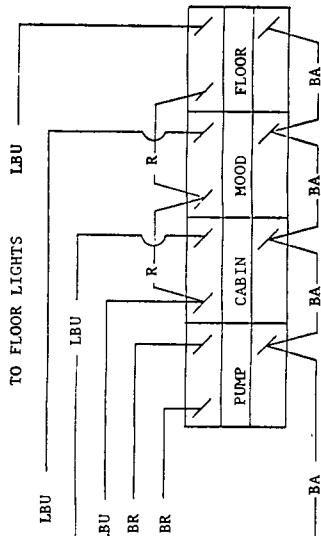
DASH INSTRU. PICTAILS

NEUTRAL SAFETY SWITCH

DASH ACC. SWITCH PICTAIL

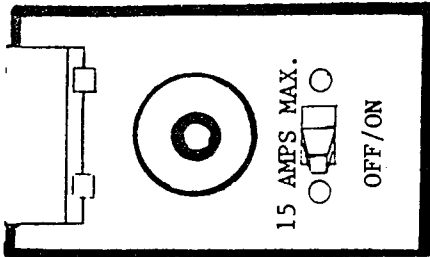
TOLERANCES UNLESS SPECIFIED		X.XXX		DRAWING NO.	
X.XX		X.XXX		DRAWING NO.	
MATERIALS		DATE		NAME	
CORRECTION		DATE		NAME	
#		DATE		NAME	
TITLE		SCALE		DATE	
F-302 SR-I DASH WIRING DIAGRAM		J/L		7/28/83	
DR BY		CH BY		DATE	
NWL		J/L		7/28/83	
THUNDERBIRD PART NO.		SCALE		DATE	
75-4199		J/L		7/28/83	
THUNDERBIRD PRODUCTS		SCALE		DATE	
P.O. BOX 501		J/L		7/28/83	
DECATUR, IN 46733		J/L		7/28/83	
219-724-9111		J/L		7/28/83	

OBSOLETE 7/1/80 NOTE (COLORS)

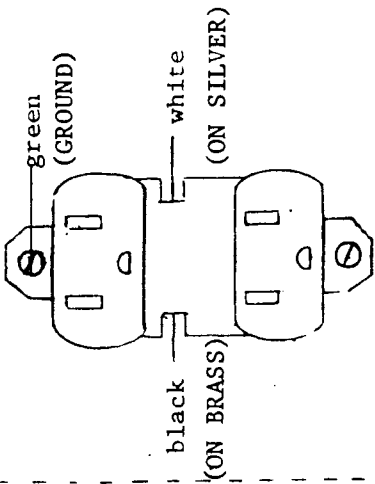


ALL WIRING ON THIS DIAGRAM 16 GAUGE MINIMUM UNLESS SPECIFIED OTHERWISE.

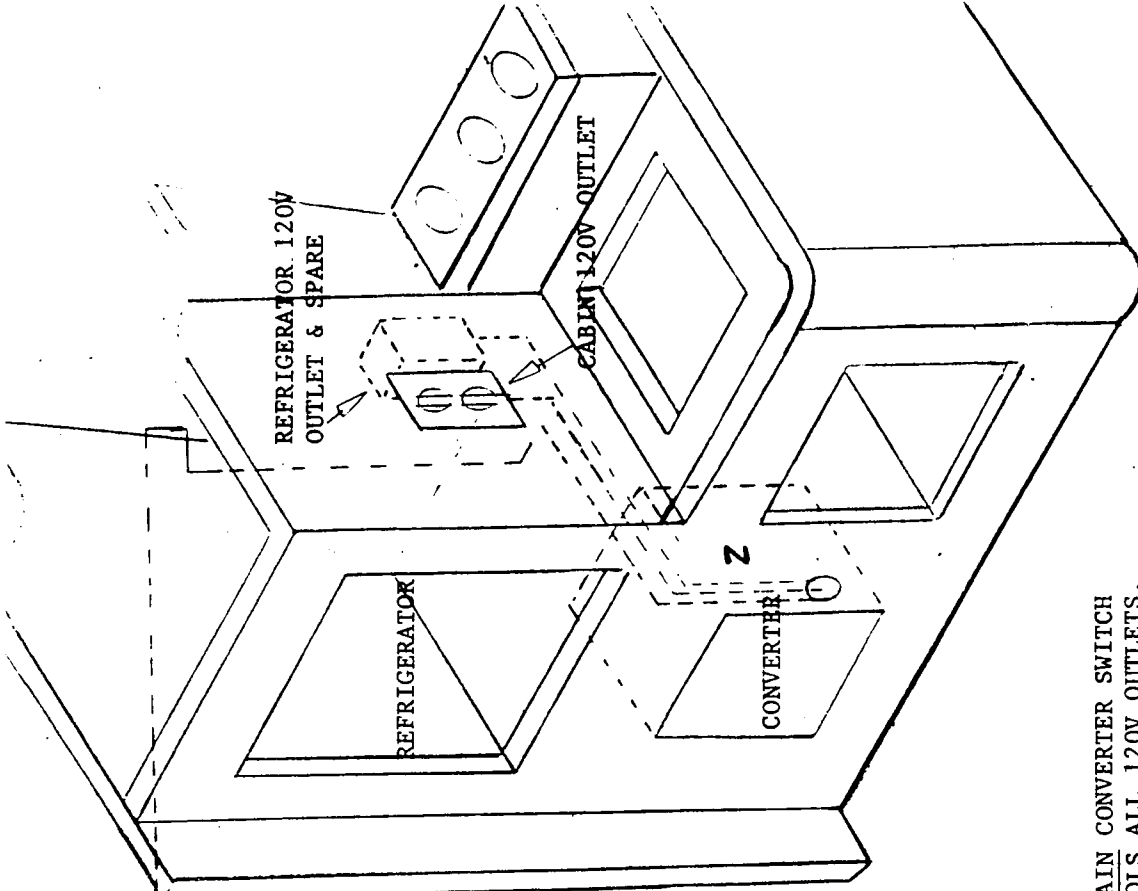
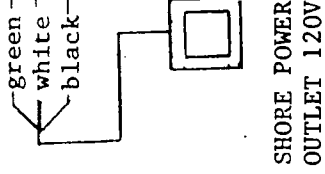
THUNDERBIRD PRODUCTS P.O. BOX 501 DECATUR, IN 46733 219 - 724 - 9111	TITLE F-302 SRI CABIN WIRING DETAIL		DATE 8/13/83		TOLERANCES UNLESS SPECIFIED X.XX X.XXX
	DR BY NWL	CH BY JUL	SCALE 1	DATE 4/1/84	
THUNDERBIRD PART NO.	#	CORRECTION	NAME NWL	MATERIALS	DRAWING NO. C-2



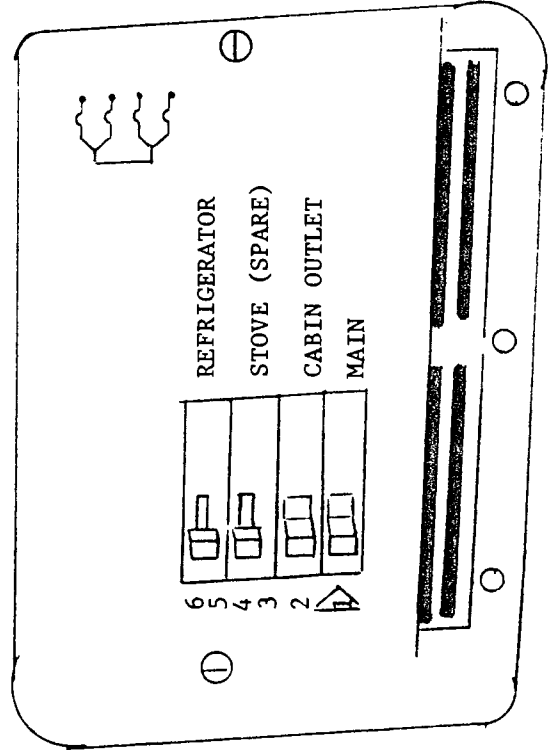
120V FUSING SUPPLIED WHEN SHORE POWER IS INSTALLED WITHOUT CONVERTER. (LOCATION IS AT POINT Z)



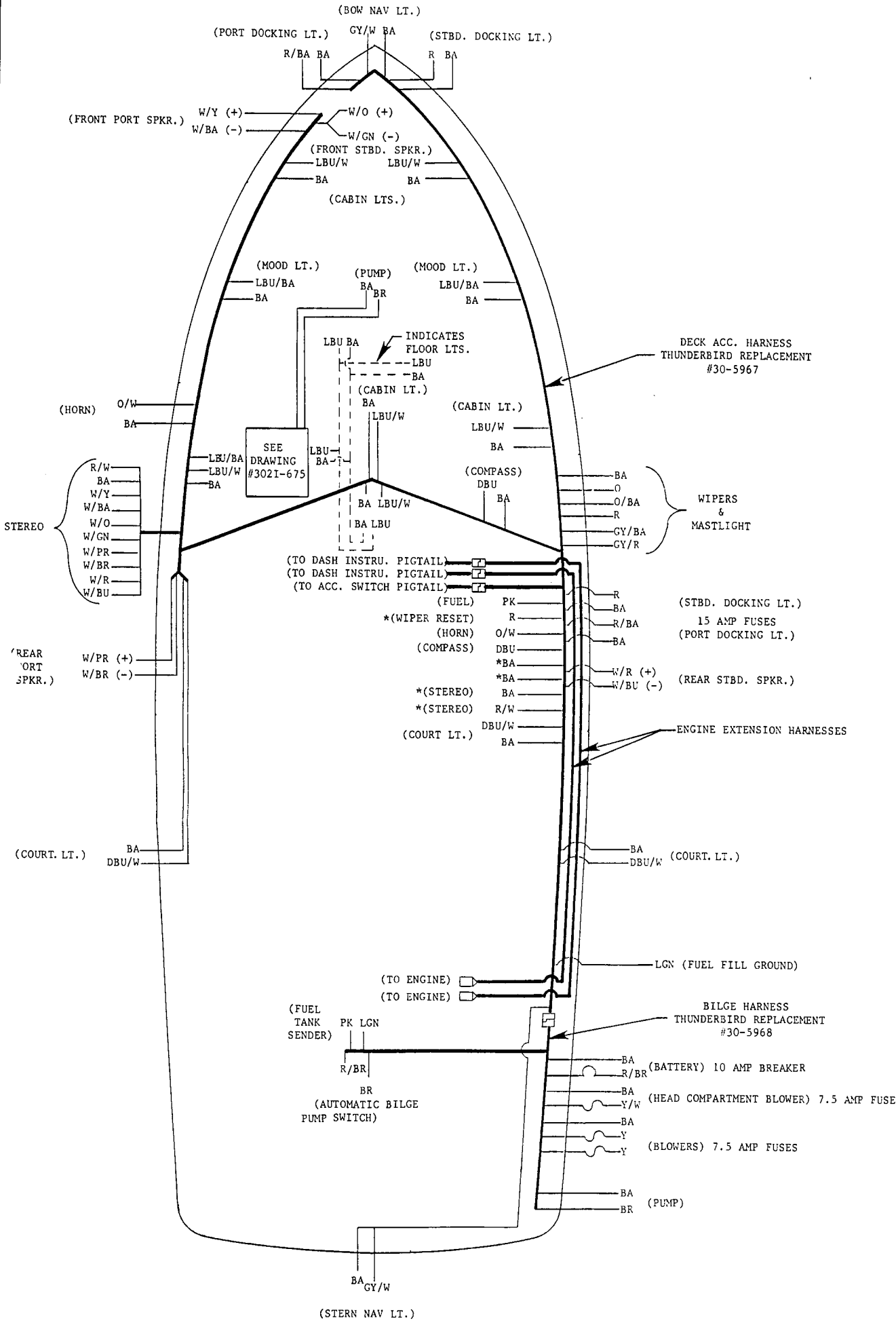
120V OUTLET WIRING



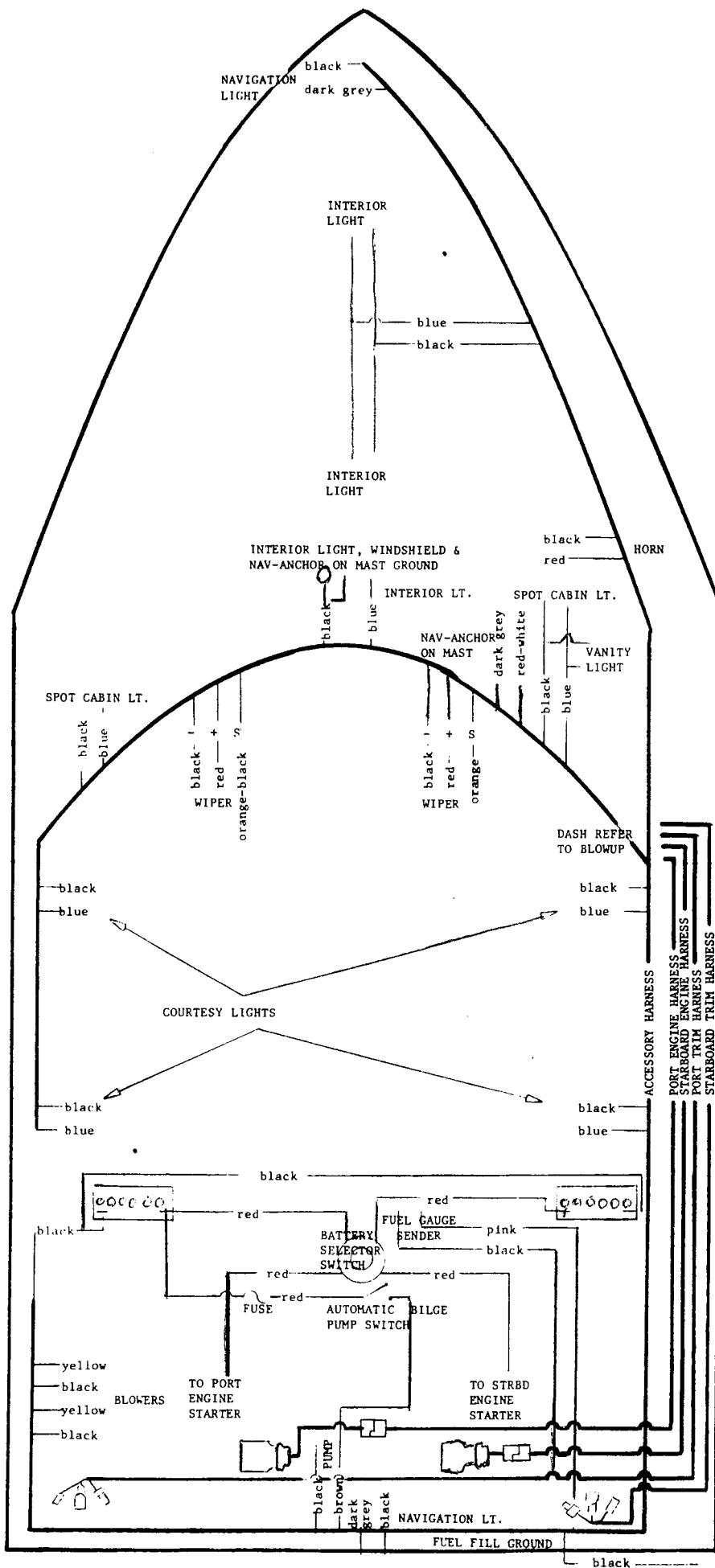
THE MAIN CONVERTER SWITCH CONTROLS ALL 120V OUTLETS. WITH THE MAIN SWITCH OFF ALL 120V AND 12V FROM THE CONVERTER IS OFF. ALL 12V THEN COMES FROM THE BATTERY.



F302 120 VOLT WIRING AND FUSING.



TOLERANCES UNLESS SPECIFIED X.XX X:XXX	DRAWING NO.	MATERIALS	NAME	DATE	CORRECTION	#	TITLE E-302 SRI LAYOUT WIRING DIAGRAM DR BY CH BY J.J.L. NWL	SCALE 7/1/84	DATE 7/1/84	THUNDERBIRD - PART NO.
										THUNDERBIRD PRODUCTS
THUNDERBIRD P.O. BOX 501 DECATUR, IN 46733 219 - 724 - 9111										

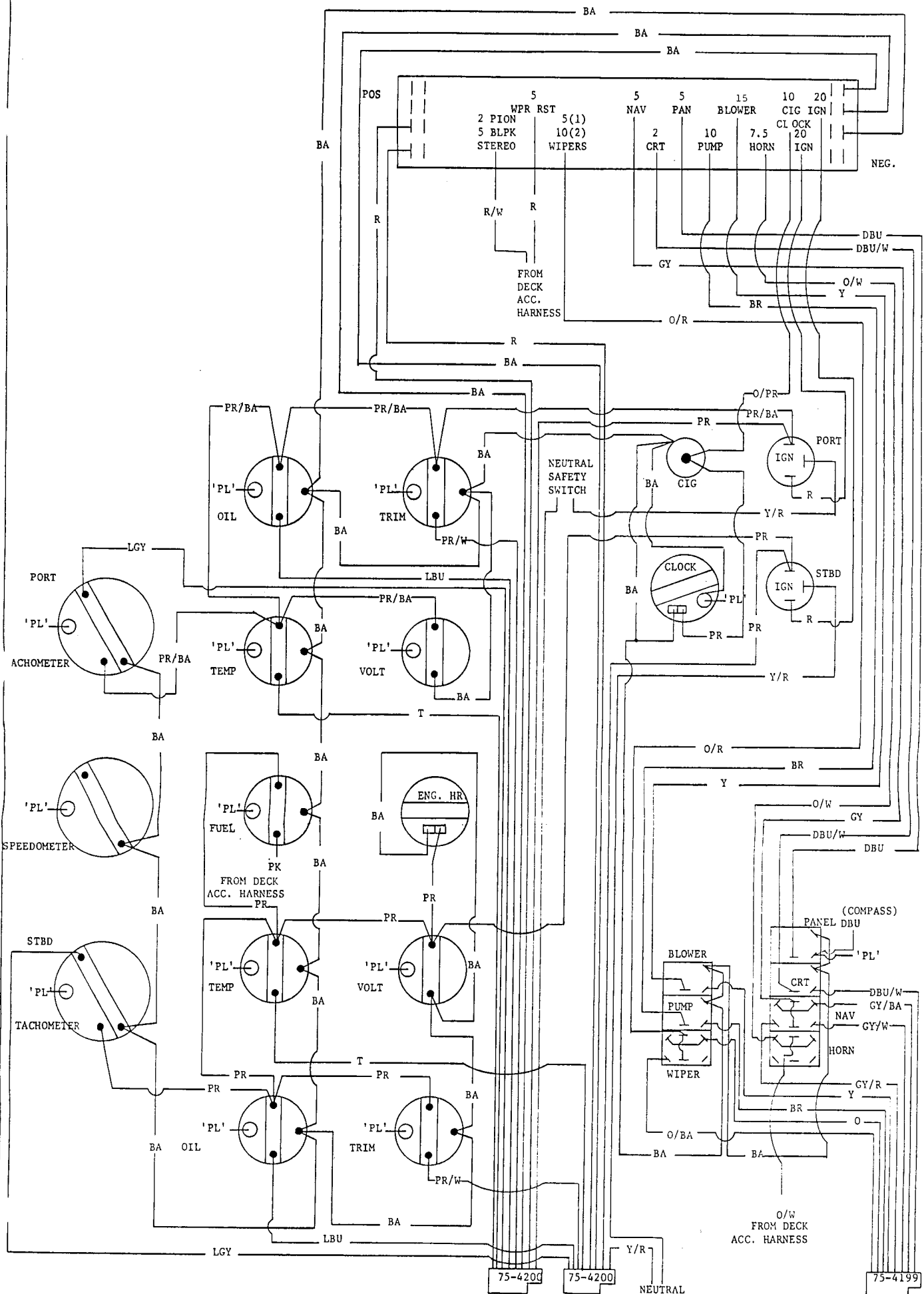


BOAT WIRING LAYOUT

MODELS:

F302 I/O

TWIN MERCURY ENGINES
 - + S REFERS TO WIPER CONNECTIONS.



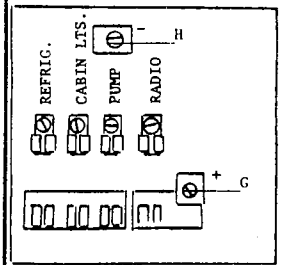
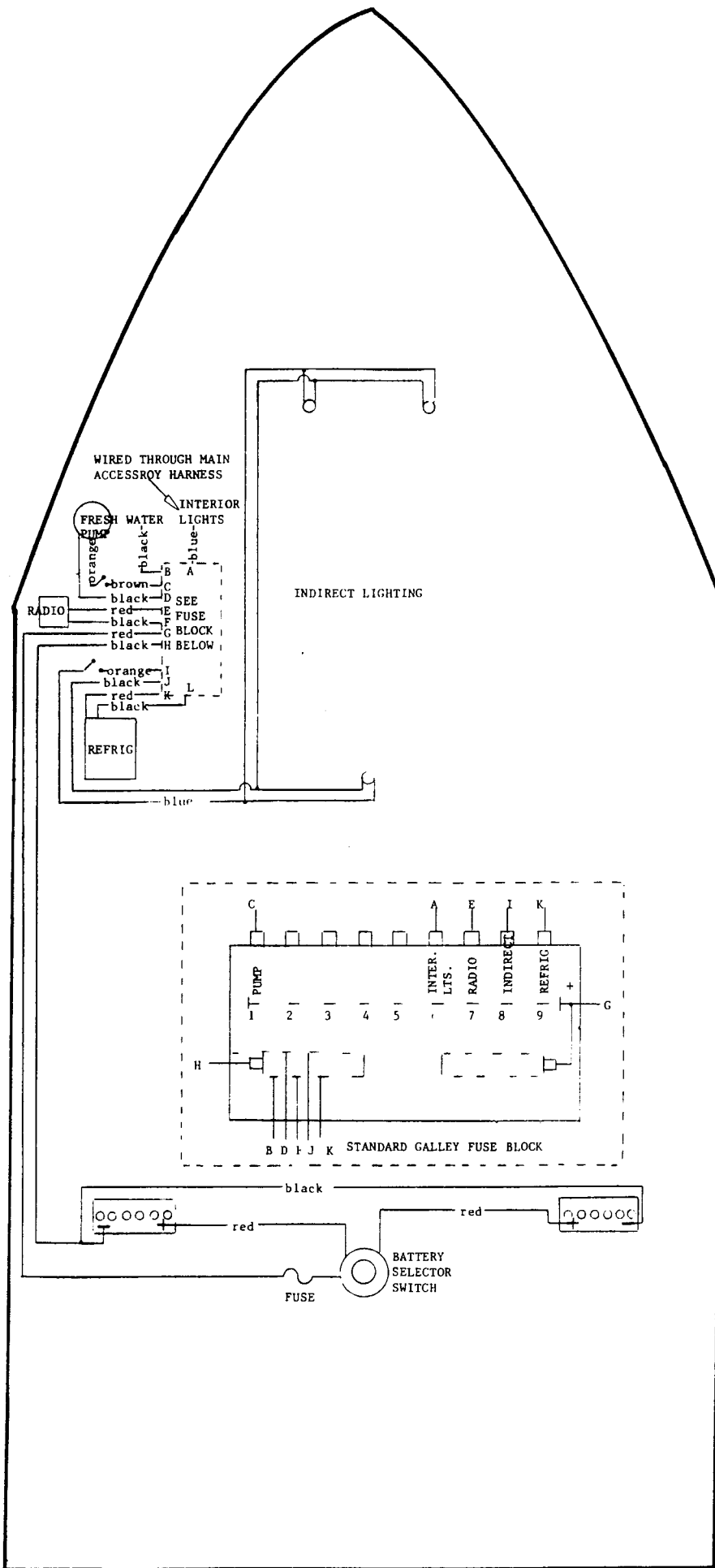
ALL WIRES DENOTED 'PL' ARE JOINED TOGETHER

DASH INSTRU. PIGTAILS
PORT STBD

NEUTRAL
SAFETY
SWITCH

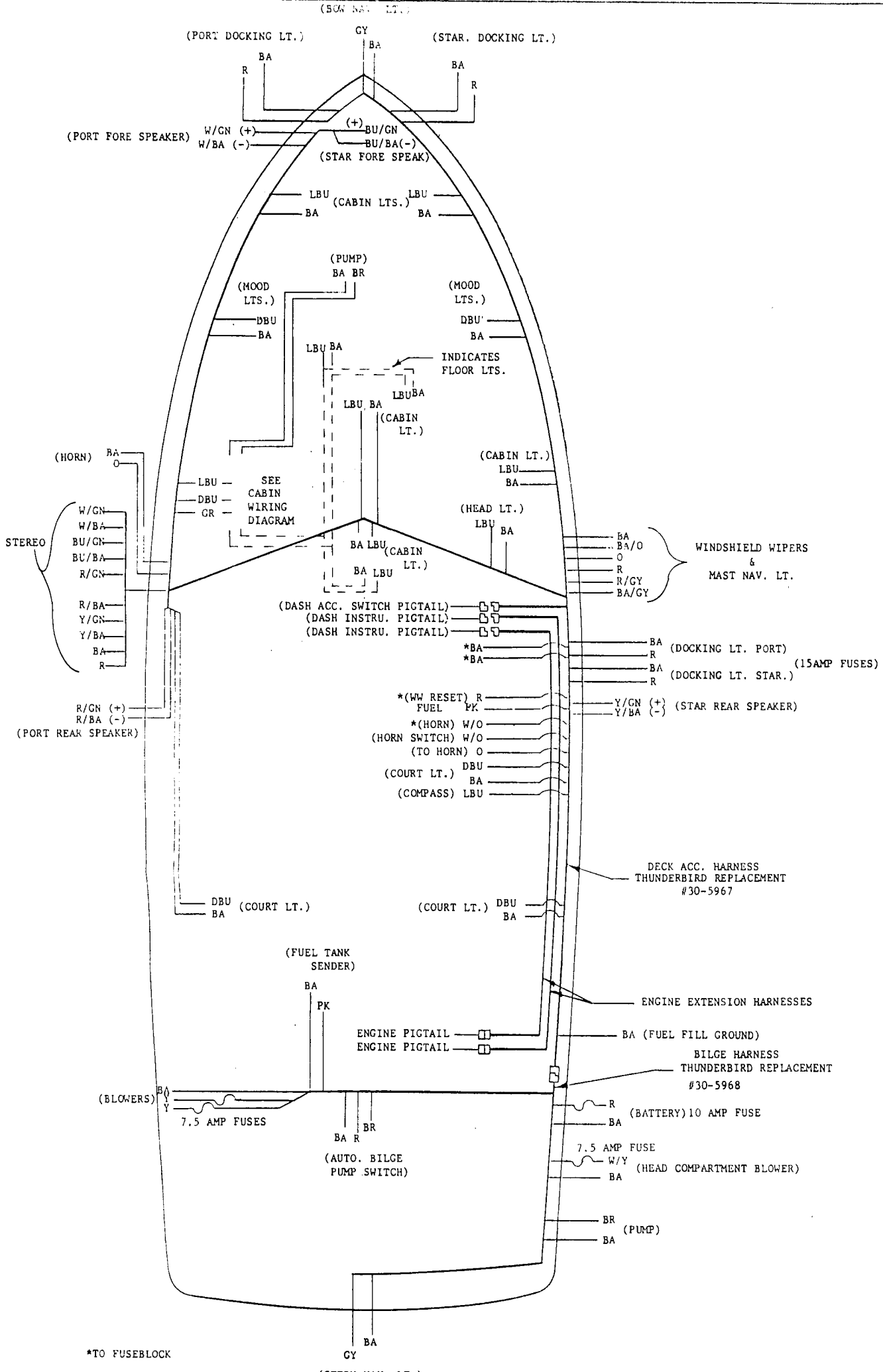
DASH ACC. SWITCH
PIGTAIL

TOLERANCES UNLESS SPECIFIED		X-XX		DRAWING NO.	
MATERIALS		DATE		NAME	
CORRECTION		DATE		NAME	
1		7/11/85		NWL	
CHANGED BLOWER FUSE FROM 7.5 TO 15					
TITLE		DATE		SCALE	
F-302, SRI, DASH WIRING DIAGRAM		2/1/84		J.J.I.	
DR BY		DATE		SCALE	
THUNDERBIRD - PART NO.					
THUNDERBIRD PRODUCTS					
P.O. BOX 501					
DECATUR, IN 46733					
219-724-9111					

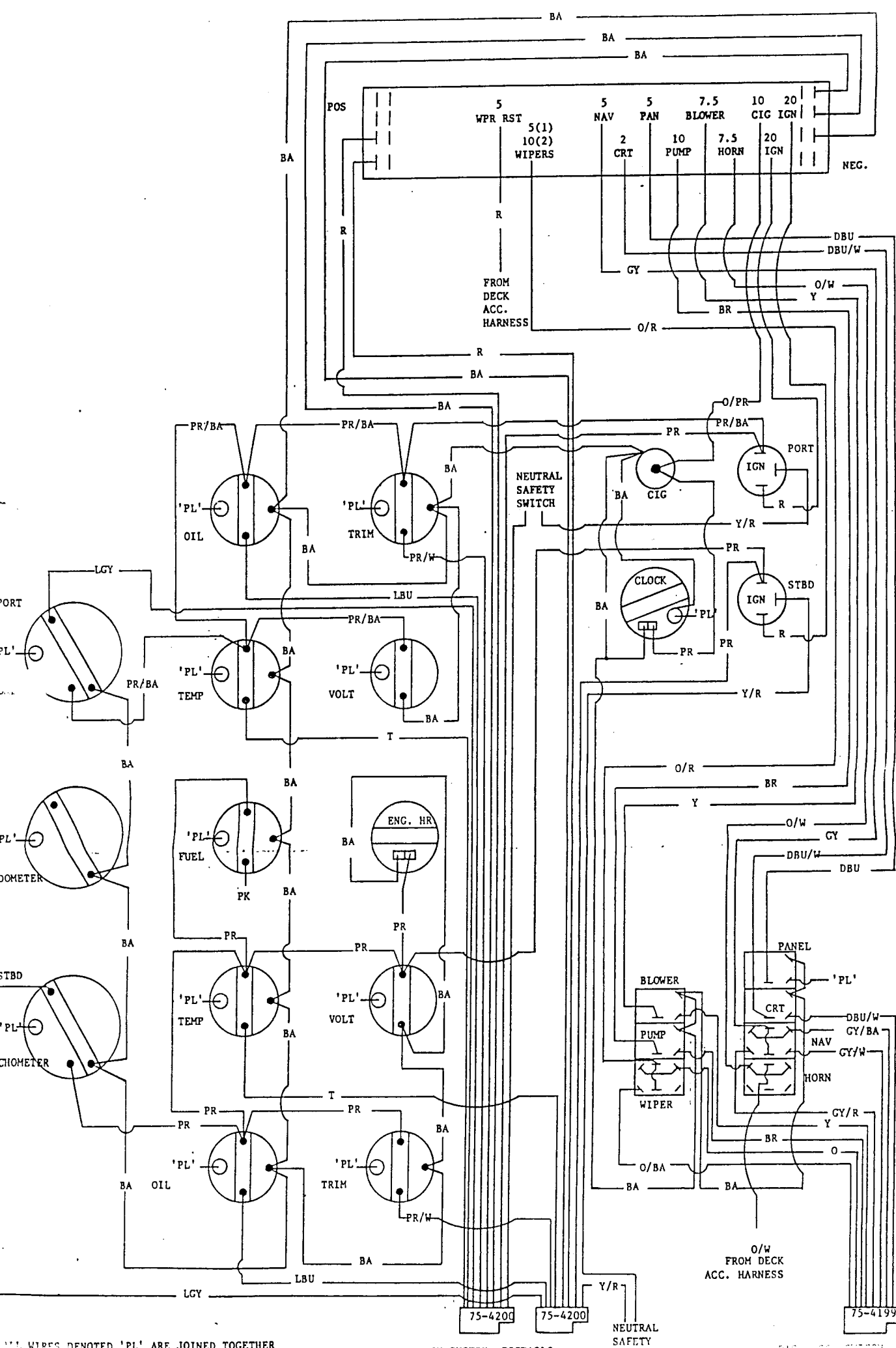


OPTIONAL CONVERTER FUSING
(INSIDE FRONT CONVERTER COVER)

F302 ENTERTAINMENT CENTER-
CONVERTER WIRING HARNESS
SHOWING 12 VOLT SYSTEM ONLY.



TOLERANCES UNLESS SPECIFIED X.XX		DRAWING NO. COLORS &	
MATERIALS 7/1/84		DATE 7/1/84	
CORRECTION #		PART NO. AS STATED	
TITLE F-302 SR-1 LAYOUT WIRING DIAGRAM		DATE 7/28/83	
DR BY NHL		SCALE JUL	
THUNDERBIRD PRODUCTS		P.O. BOX 501	
DECATUR, IN 46733		219-724-9111	



ALL WIPERS DENOTED 'PL' ARE JOINED TOGETHER

DASH INSTR. DETAILS

TOLERANCES UNLESS SPECIFIED		X.XX		X.XXX	
DRAWING NO.		MATERIALS		NAME	
DATE		CORRECTION		#	
TITLE		DASH WIRING DIAGRAM		DATE	
DR BY		CH BY		SCALE	
MNL		JTL		2/1/84	
THUNDERBIRD PART NO.		PART NO.		DATE	
UNDERBIRD PRODUCTS		CORRECTION		DATE	
BOX 501		CORRECTION		DATE	
CATUR, IN 46733		CORRECTION		DATE	
219-724-9111		CORRECTION		DATE	

OBSOLETE 7/1/84